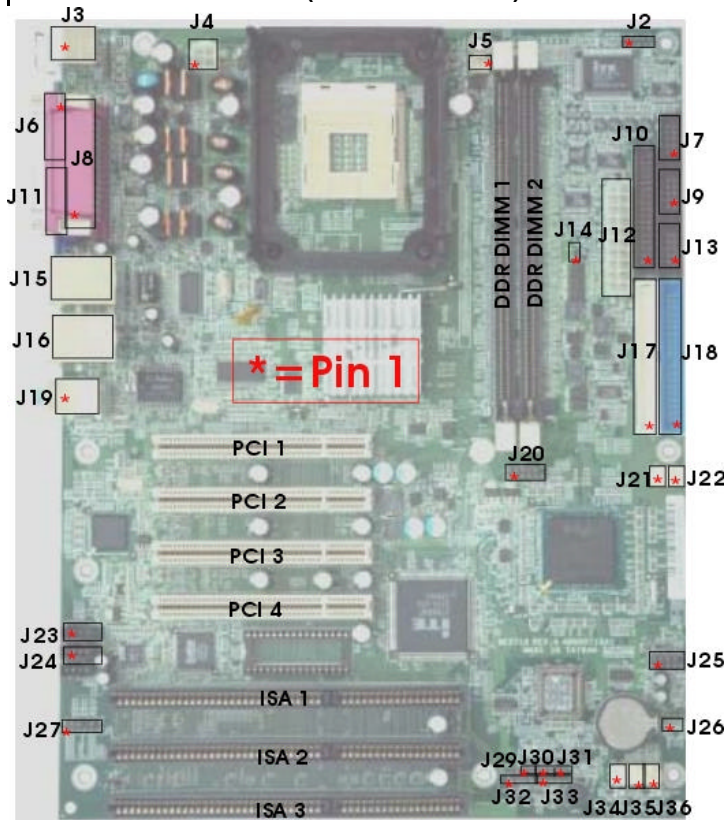




## NEX716VL2G Quick Reference Guide

(P/N: 60177A0032)

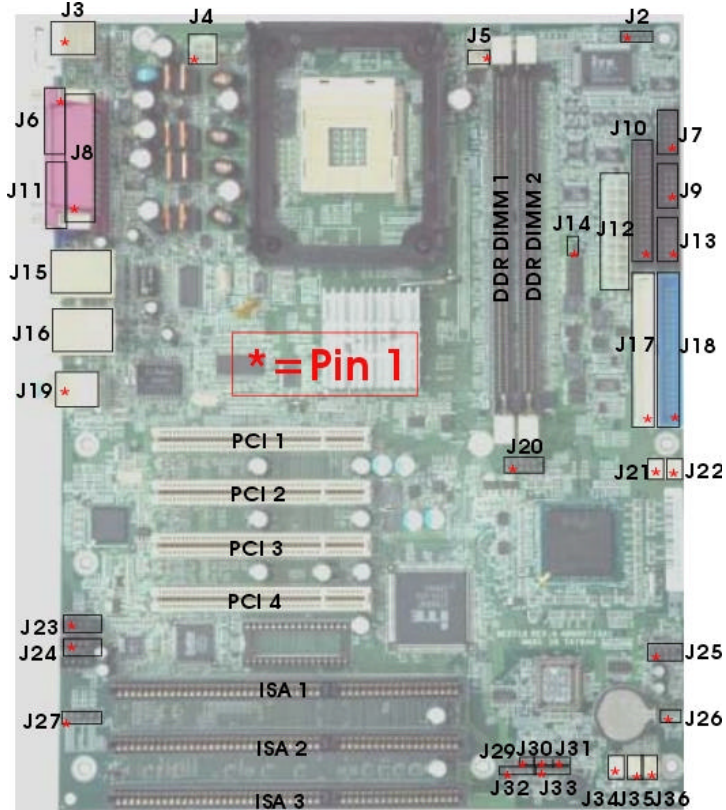


Function		Function	
<b>J2</b>	IrDA, 5 x 1 Pin Header	<b>J19</b>	Line in/Headphone out/MIC in
<b>J3</b>	PS2 Keyboard/Mouse	<b>J20</b>	GPIO Port 8 pin in/out
<b>J4</b>	ATX Power Connector 2x2pin, 12V input only	<b>J21, J22</b>	5V Power Header for Disk on Module, JST2.5mm 2 Pin
<b>J5</b>	CPU Fan Connector	<b>J23</b>	CD In, 4x1 Shrouded Header
<b>J6</b>	COM1, DSUB 9 Pin Connector	<b>J24</b>	Aux In, 4x1 Shrouded Header
<b>J7</b>	COM2, 5x2 Pin BoxHeader	<b>J25</b>	USB5/USB6, 5x2 Pin Header
<b>J8</b>	LPT1 (Parallel Port), DSUB 25 Pin Connector	<b>J26</b>	CMOS Setup Clear
<b>J9</b>	COM3, 17x2 Box Header	<b>J27</b>	Audio Front I/O Connector, 5x2 Pin Header
<b>J10</b>	FDD, 17x2 Box Header	<b>J29</b>	Reset Button, 2x1 Pin Header
<b>J11</b>	CRT out, HDS DSUB 15 Pin Connector	<b>J30</b>	ATX Power On Button, 2x1 Pin Header
<b>J12</b>	ATX Power Connector, 10x2 Pin	<b>J31</b>	CPU Type Select (P4 or P4M) 1-2 for P4M, 2-3 for P4 (default)
<b>J13</b>	COM4, 5x2 Pin Box Header	<b>J32</b>	System Speaker Out
<b>J14</b>	IDE Access LED Header	<b>J33</b>	System Power On LED, K/B Lock
<b>J15</b>	LAN1 + USB1/USB2	<b>J34</b>	SM-Bus Header
<b>J16</b>	LAN2 + USB3/USB4	<b>J35</b>	System Fan 1
<b>J17, J18</b>	IDE Channel 2, IDE Channel 1, 20x2 PinHeader	<b>J36</b>	System Fan 2



## NEX716VL2G Quick Reference Guide

(P/N: 60177A0032)



Function		Function	
<b>J2</b>	IrDA, 5 x 1 Pin Header	<b>J19</b>	Line in/Headphone out/MIC in
<b>J3</b>	PS2 Keyboard/Mouse	<b>J20</b>	GPIO Port 8 pin in/out
<b>J4</b>	ATX Power Connector 2x2pin, 12V input only	<b>J21, J22</b>	5V Power Header for Disk on Module, JST2.5mm 2 Pin
<b>J5</b>	CPU Fan Connector	<b>J23</b>	CD In, 4x1 Shrouded Header
<b>J6</b>	COM1, DSUB 9 Pin Connector	<b>J24</b>	Aux In, 4x1 Shrouded Header
<b>J7</b>	COM2, 5x2 Pin BoxHeader	<b>J25</b>	USB5/USB6, 5x2 Pin Header
<b>J8</b>	LPT1 (Parallel Port), DSUB 25 Pin Connector	<b>J26</b>	CMOS Setup Clear
<b>J9</b>	COM3, 17x2 Box Header	<b>J27</b>	Audio Front I/O Connector, 5x2 Pin Header
<b>J10</b>	FDD, 17x2 Box Header	<b>J29</b>	Reset Button, 2x1 Pin Header
<b>J11</b>	CRT out, HDS DSUB 15 Pin Connector	<b>J30</b>	ATX Power On Button, 2x1 Pin Header
<b>J12</b>	ATX Power Connector, 10x2 Pin	<b>J31</b>	CPU Type Select (P4 or P4M) 1-2 for P4M, 2-3 for P4 (default)
<b>J13</b>	COM4, 5x2 Pin Box Header	<b>J32</b>	System Speaker Out
<b>J14</b>	IDE Access LED Header	<b>J33</b>	System Power On LED, K/B Lock
<b>J15</b>	LAN1 + USB1/USB2	<b>J34</b>	SM-Bus Header
<b>J16</b>	LAN2 + USB3/USB4	<b>J35</b>	System Fan 1
<b>J17, J18</b>	IDE Channel 2, IDE Channel 1, 20x2 PinHeader	<b>J36</b>	System Fan 2